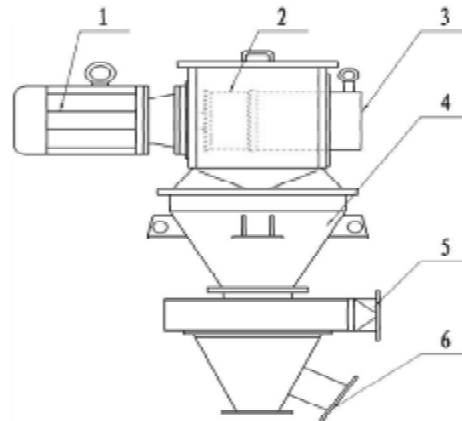


应用范围 (Application):

陶瓷 耐火材料 医药 农药 食 保健 新材 { T业

Widely used for chemical, minerals (especially applicable for non- mineral products classification, such as calcium carbonate, kaolin quartz, talc, mica, etc), metallurgy, abrasive, ceramics, fire- proof material, medicines, pesticides, food, health supplies, and new materials industries.



1 电 motor 2 classifying wheel 3 fine powder discharge
4 腔体 chamber 5 secondary air input 6 coarse material outlet

多转子分级机技术参数 (Technical parameters for multi-rotors):

规格型号 Model	HFW3315	HFW4315	HFW6315
参数 Parameters			
理理T/h Processing capacity	1# 5	2# 8	3# 10
d97: um Products Size	3# 45	3# 45	3# 45
/ O % Classifying Percentage	60# 90	60# 90	60# 90
装 功 kW General Power	135# 155	170# 190	250# 290

单转子分级机技术参数 (Technical parameters for Single-rotor):

规格型号 Model	HFW140	HFW200	HFW220	HFW260	HFW315	HFW330
参数 Parameters						
理理T/h Processing capacity	20# 200	50# 500	50# 600	100# 1500	200# 2000	300# 2500
d97: um Products Size	3# 45	3# 45	3# 45	3# 45	3# 45	3# 45
/ O % Classifying Percentage	60# 80	70# 85	70# 85	60# 80	70# 85	60# 80
装 功 kW General Power	16# 19	20# 27	21# 28	22# 30	50# 61	53# 65